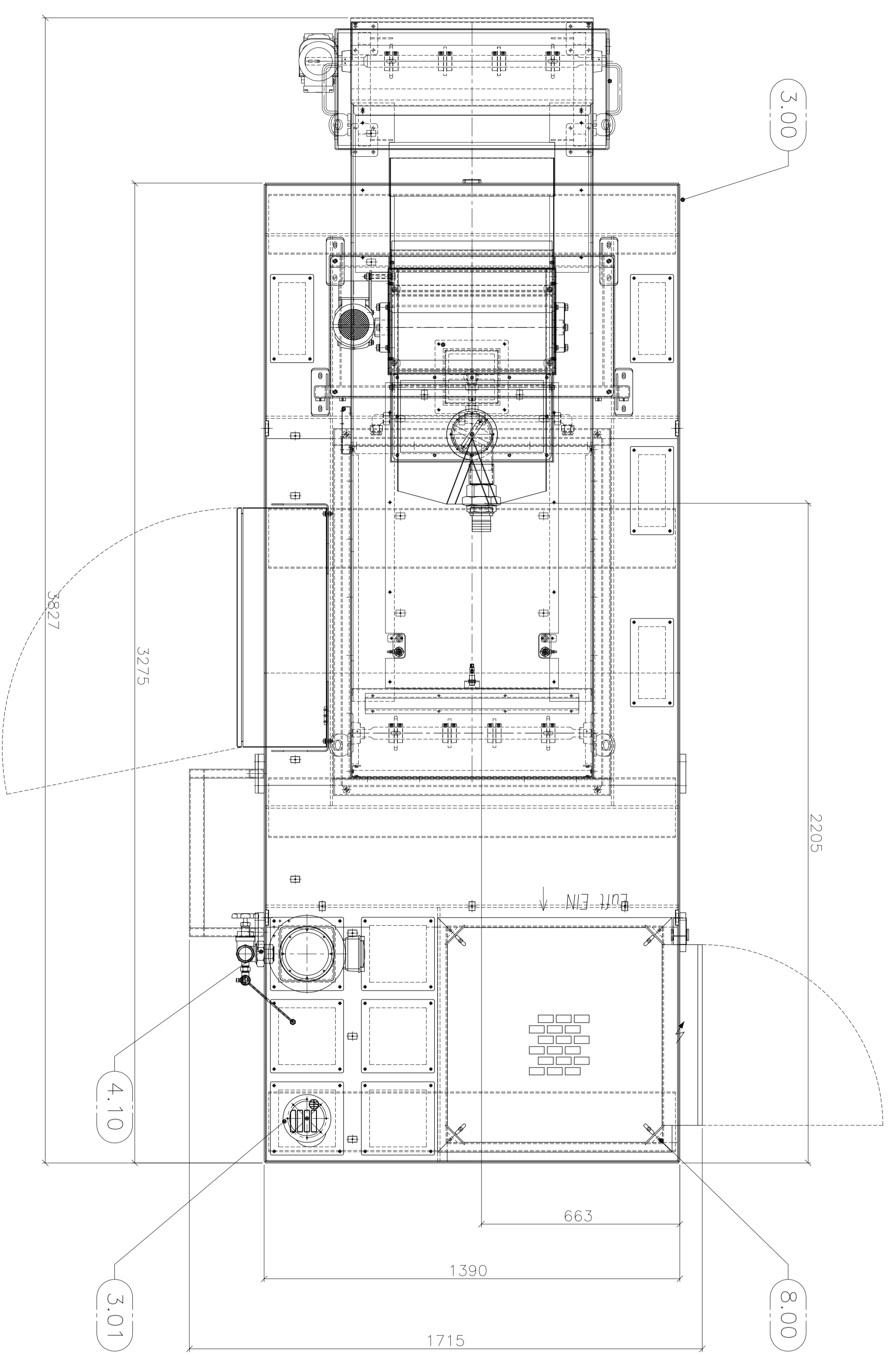


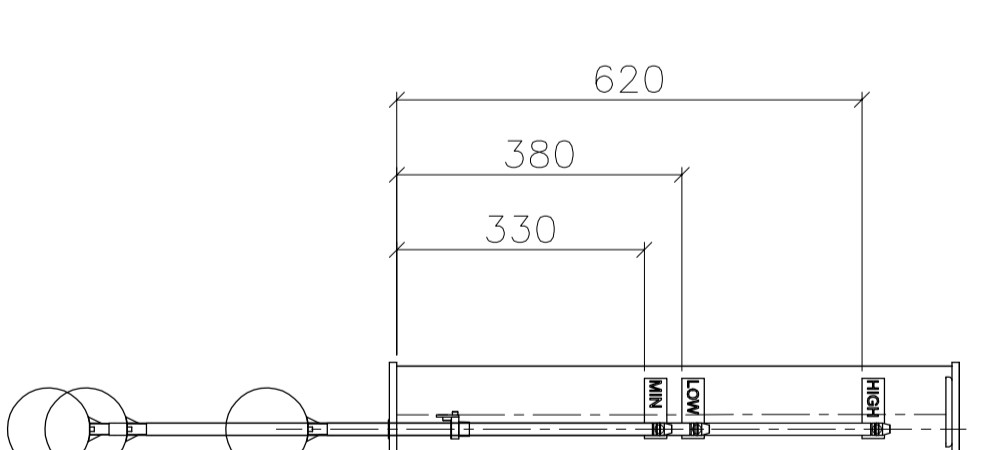
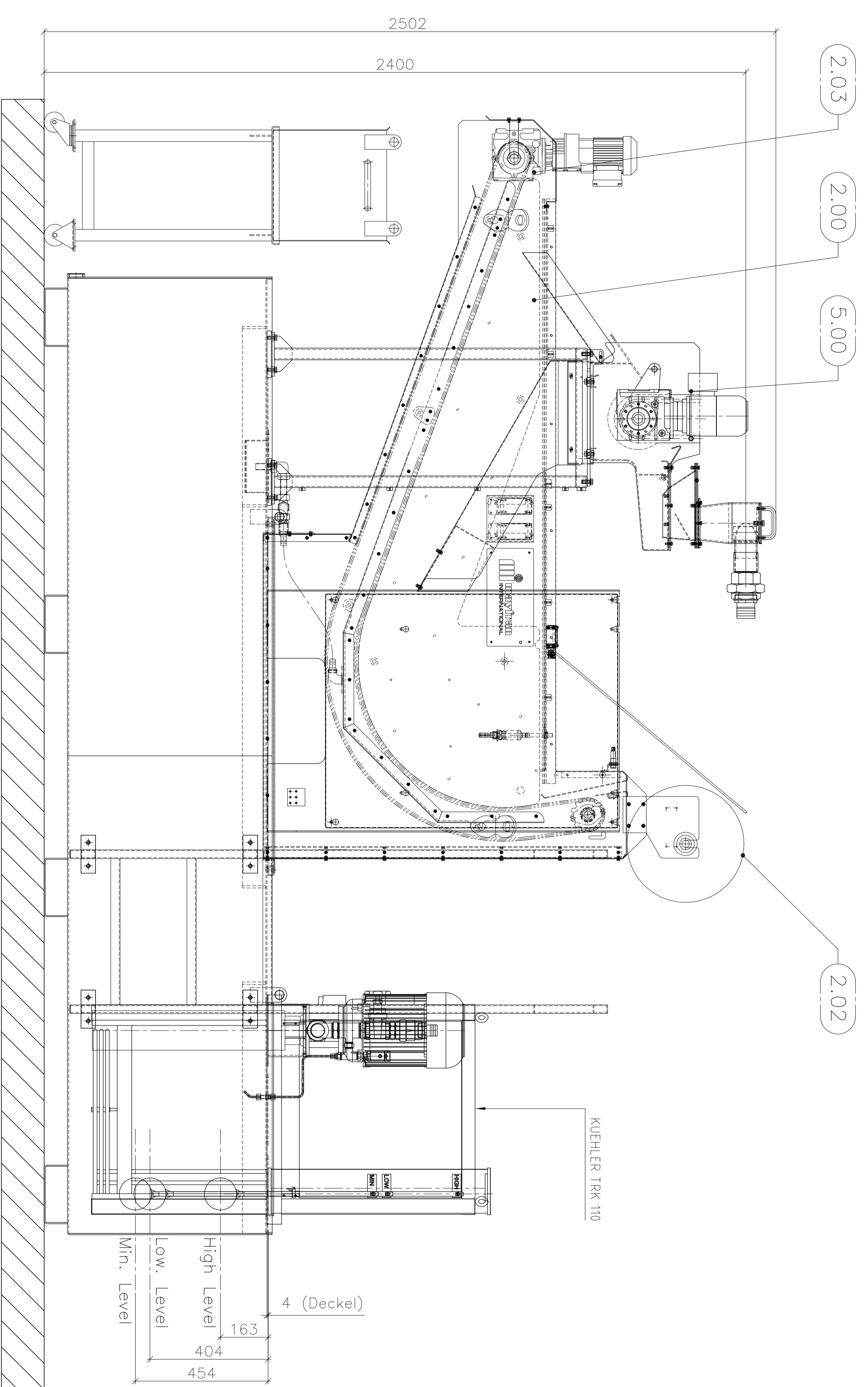
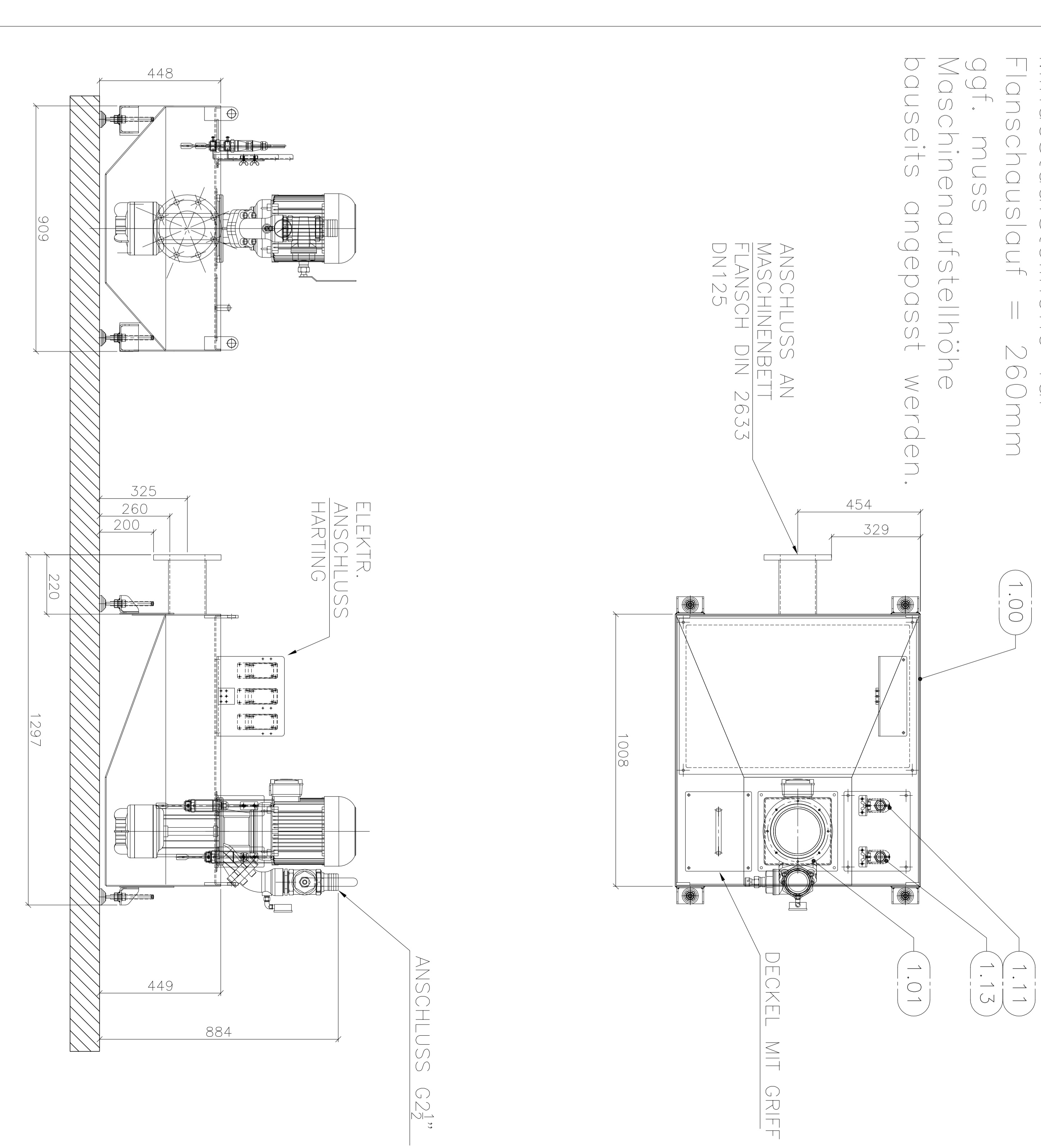
POS	REC'D	DESCRIPTION	LG1	WIDHT	HOHT	PART NO.	MATERIAL	DWG. NO.	STD
1.00	1	Rückpumpstation				121248			
3.00	1	FILTERSYSTEM				121248			

Filteranlage:



Rückpumpstation:

Mindestaufstellhöhe für Flanschlauf = 260mm
ggf. muss Maschinenaufstellhöhe angepasst werden.



SPECIFICATIONS HPF-600 FILTER
 FILTER : HPF-600
 DRIVE SIDE : LEFT
 FILTER CLOTH : 70g/m²
 DRIVE : SEW
 LEVEL SWITCH : LIQUIPHANT
 MEDIUM : EMULSION
 AMOUNT : MAX 500 LPM
 PRE-SEPARATION : NO
 PURITY LEVEL : 80 MICRON
 TANK VOLUME : 3000 LTR
 WEIGHT : ca. 1800 kg

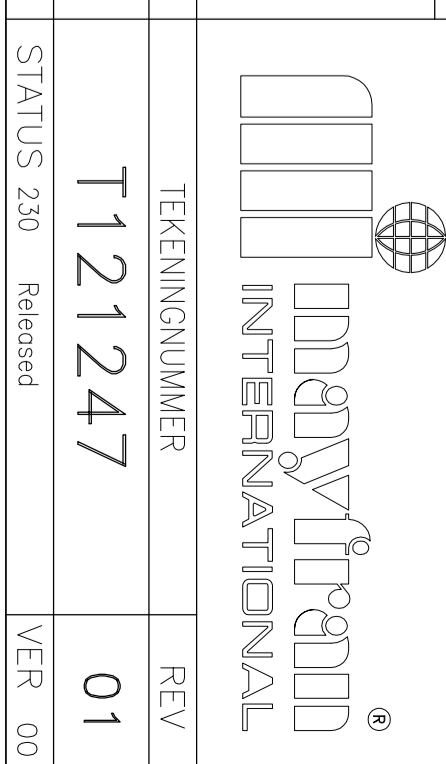
NR	DR	OMSCHRIJVING	REVISIE	3d-DWG	MADE
01					

DATE	DOOR	SCHAAL	PROEKTNR	KLIANT
18-03-2013	1-10			
13-03-2013	MADE	DO NOT SCALE		
18-03-2013	MADE	FORMA A0		

DATE	DOOR	SCHAAL	PROEKTNR	KLIANT
18-03-2013	1-10			
13-03-2013	MADE	DO NOT SCALE		
18-03-2013	MADE	FORMA A0		

OP	120	NOXES	DB	37432
ARTIKELNUMMER	T121247			
REV	01			
STATUS	280 Released			

DATE	DOOR	SCHAAL	PROEKTNR	KLIANT
18-03-2013	1-10			
13-03-2013	MADE	DO NOT SCALE		
18-03-2013	MADE	FORMA A0		



LETTER BEIDSEITIG
MONTERBAR